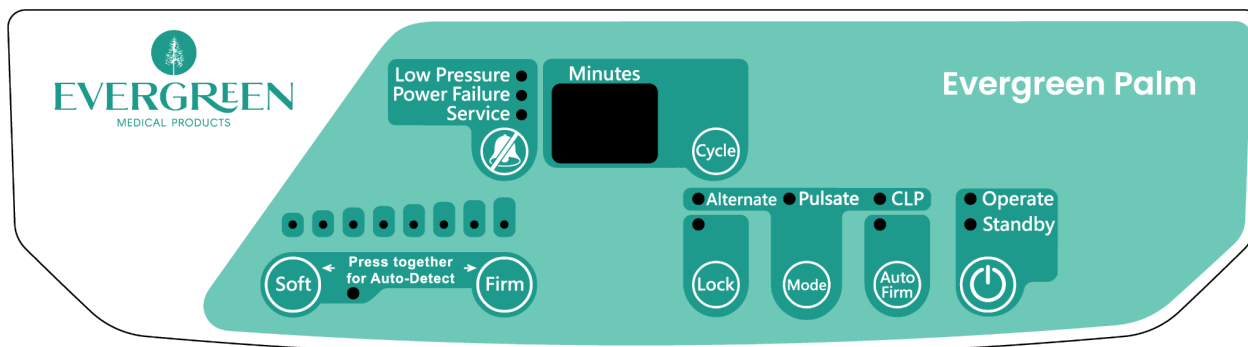


Palm Quick User Guide

This Quick User Guide runs through the Control Unit functions. Refer to the User Manual for full details.



'Auto-Detect'

Press soft and firm together to activate 'Auto-Detect'. The indicator light will flash and the system will start detecting the client's weight distribution to set the pressure. The indicator light will stop flashing when complete.



Soft or Firm

Controls the air pressure output level. Press Firm and the pressure will increase to provide increased support.



Cycle

Select your desired Cycle time.



'Auto-Lock'

The Control Unit locks when untouched for 30-seconds to prevent tampering with settings. To unlock, press and hold the Lock for 3-seconds.



Mode

Choose from one of three Therapy Modes (Alternating Pressure Therapy, Pulsate Therapy, Constant Low Pressure Therapy).



'Auto-Firm'

Surface air cells inflate to max for caregiver management (takes up to 5 mins). Will automatically return to the last Mode of operation after 20 minutes.



Operate or Standby

Press to start operating the mattress or to go into Standby.

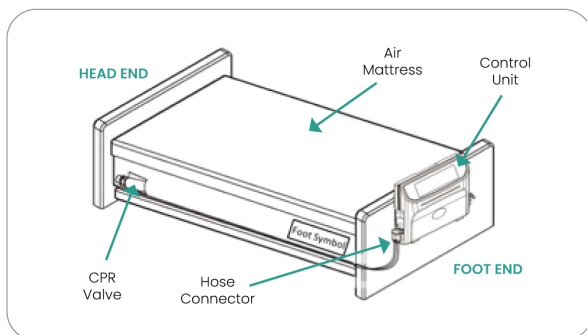


Alarm Mute

Press Alarm Mute to temporarily suspend the audible alarm. Should the issue persist, the alarm will resume. If the mains power is removed from the control unit or the power cable is unplugged, an audible alarm will sound.

Palm Initial Setup Guide

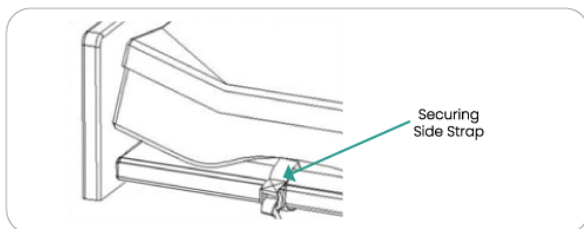
What's in the box: Control Unit, surface, power cord.



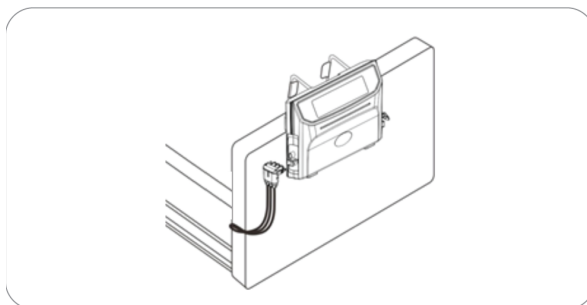
1. Place the mattress replacement directly on the bed deck – the foot end is clearly marked on the cover.

2. Loosely secure the surface using the straps to the moving parts of the bed platform.

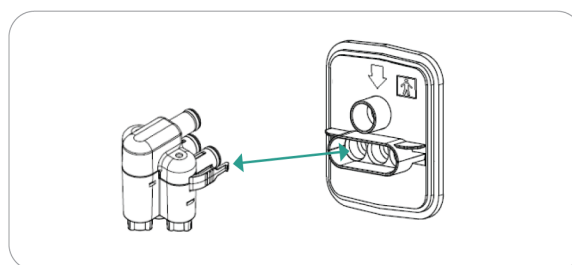
IMPORTANT: Do not attach the surface straps to the static bed frame as the product may be damaged when the bed is adjusted.



3. Secure the Control Unit at the foot end of the bed.



4. Remove the Protector Cap from the end of the air hose, and push the hose connector into the side of the Control Unit until you hear a 'click'. Connect the detection cable to the pump. To transport an inflated surface, first press 'Auto-Firm' for quick inflation, then cover the air hose with the Protector Cap - this keeps air in the surface for up to 24-hours.



5. Turn on the Control Unit by pressing the power button (located on the side panel), then press the Operate button and the indicator will illuminate. Leave the mattress in a flat position - the surface needs 40 minutes to fully inflate and calibrate.

IMPORTANT: Do not put the client on the surface until the Control Unit is on one of the three Modes (Alternate Mode, Static Mode or CLP Mode).

6. Ensuring the surface is flat, place your client on the surface. Press 'Soft' and 'Firm' together to begin 'Auto-Detect', which takes approximately 15 mins to complete. The clinician can later adjust the surface by pressing Soft, Firm buttons.

7. Select your preferred Mode (Alternate Mode, Static Mode or CLP Mode).

8. For nursing care requirements, press the 'Auto-Firm' button to inflate the surface. The Control Unit automatically goes back to the previously selected Mode after 20-mins.

IMPORTANT: Once the Control Unit is untouched for 30-seconds, the Control Unit will Lock-Out. To unlock, press and hold the Lock button for 3-seconds.

The Palm should only be used under the guidance of a healthcare professional or clinician. The guide is based on general product applications. Specific clinical applications should be based upon individual client physical and functional assessments.